

A Wide Range of Models are Made By

CLINTON

For Farm, Home and Industrial Use.

800

H.P.	R.P.M.
1.95.....	2600
2.35.....	3100
2.5.....	3600

GENERAL SPECIFICATIONS

Model	Type	Description	Starter	Weight
800	4-Cycle Air Cooled	Horizontal Shaft	Rope or Recoil	41

BORE: 2 $\frac{3}{8}$ ".**STROKE:** 1 $\frac{7}{8}$ ".**TYPE:** 4-cycle, single cylinder, L-Head, air-cooled.**AIR COOLED:** Large capacity, curved vane blower cast integral with flywheel. Air passes through deep fins to maintain correct operating temperature.**PISTON DISPLACEMENT:** 8.3 cubic inches.**IGNITION:** Very high voltage, built-in flywheel magneto for faster starting. Moisture and dust proof with fully enclosed ignition points.**SPARK PLUG:** 14 mm.**LUBRICATION:** Splash type. Oil drainage permitted from either side of base.**CARBURETOR:** Full float feed with idle and high speed adjustment.**GOVERNOR:** Adjustable, air velocity type, statically balanced.**MAIN BEARINGS:** Steel backed babbit.**CRANKSHAFT:** Arma steel, induction heat-treated. Counterweights and cam gear drive integral with shaft.**CONNECTING ROD:** I-Beam, aluminum alloy with extra large bearings.**PISTON:** Aluminum alloy, extended skirt for longer ring life. Treated surface.**PISTON RINGS:** Two compression and one slotted oil. Treated surfaces.**VALVES:** Forged steel. Exhaust valve provided with heat-resistant alloy head.**VALVE TAPPETS:** Hardened and ground.**CYLINDER AND CRANKCASE:** Close grained gray iron, metallurgically controlled in our own foundry.**CYLINDER HEAD:** Aluminum, removable with extra deep and curved cooling fins.**OIL FILLER:** Most conveniently located automotive type bayonet dipstick integral with filler cap. Easily removable for both filling and checking.**AIR CLEANER:** Visible oil bath type.**FUEL TANK:** Three quart capacity with gasoline strainer and shut-off.**OIL RESERVOIR:** One and one-fourth pints capacity.**DIRECTION OF ROTATION:** Counter-clockwise, viewed from power take-off shaft side.**FINISH:** Heat resistant, dark green enamel. Other colors available upon request.

STANDARD EQUIPMENT

Standard equipment includes: Down-draft oil bath air cleaner, dust and moisture proof, high voltage, flywheel magneto, float feed carburetor and fuel tank, muffler, blower housing screen, rope starter.

SPECIAL EQUIPMENT

Special equipment includes: Remote governor controls, any length throttle cables and stop, ignition shielding, other crankshaft extensions, fungus proofing, special mounting surfaces, kerosene conversion, flyball type governor, recoil starter.

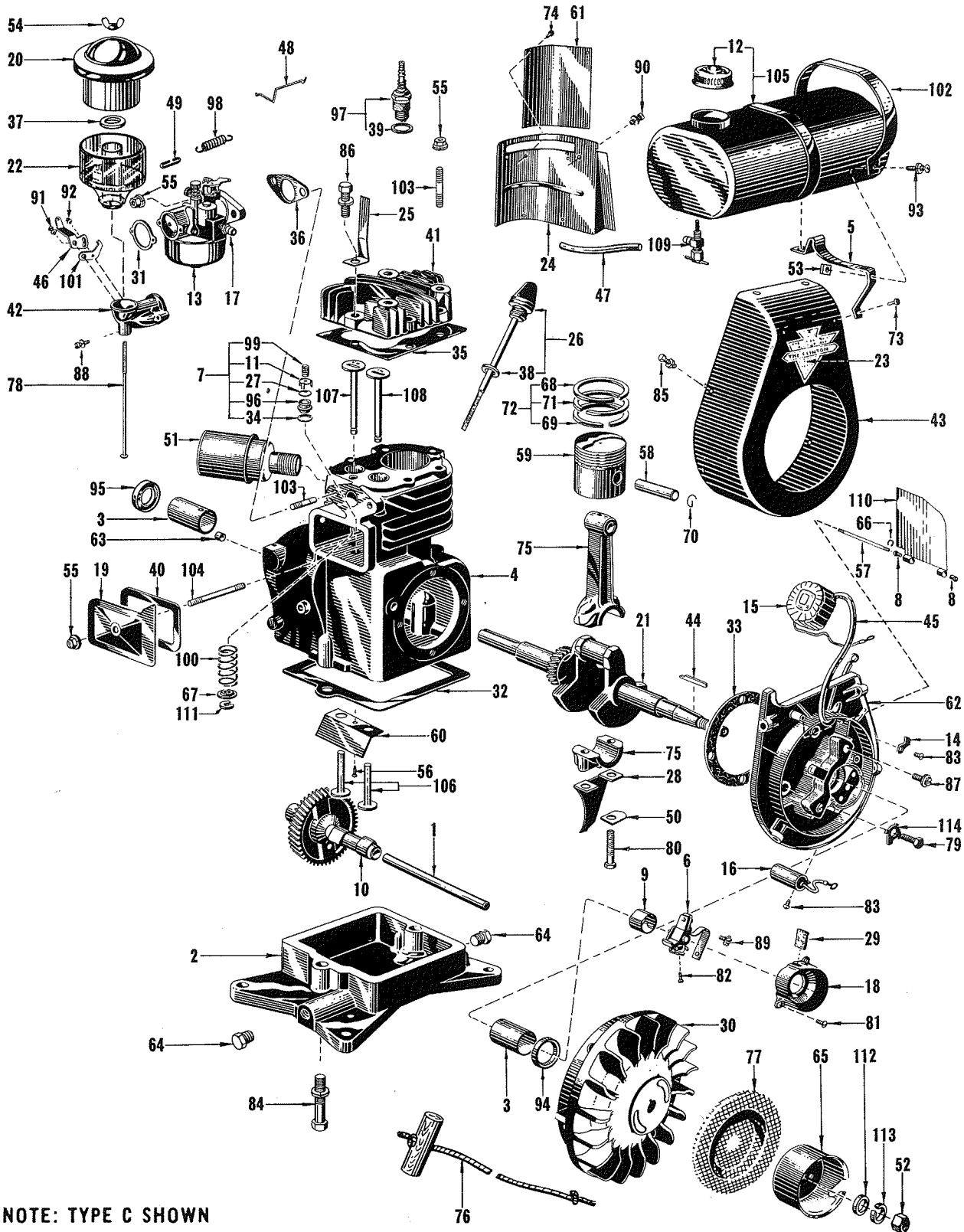


MANUFACTURED IN A WIDE RANGE OF 2-CYCLE AND 4-CYCLE MODELS

CLINTON ENGINES PROVIDE POWER

FOR FARM • HOME • INDUSTRIAL EQUIPMENT

PRINTED IN U.S.A.



NOTE: TYPE C SHOWN

CLINTON



BASIC
TYPES

SEC. II, DIV. 800
PARTS CATALOG
Revised July, 1955
Supersedes Oct., 1953

There are three Basic Types of the 800 Engines covered by this Basic Parts List. Parts not used on all Types are noted. These "TYPES" are shown as follows: SERIAL NUMBER SUFFIX "A"—referred to as "TYPE A." SERIAL NUMBER SUFFIX "B"—referred to as "TYPE B." SERIAL NUMBER SUFFIX "C"—referred to as "TYPE C."

*The asterisk preceding any Part Description means this Part is different on certain Models.
Check for Model Variations following this Basic Parts List.

NOTE: See page no. (a) on "How to Identify Your Clinton Engine."

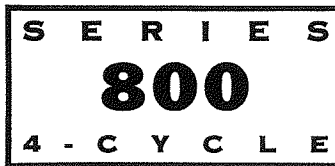
BASIC PARTS LIST — ALL TYPES

Fig. 1 Ref. No.	PART DESCRIPTION	Part No.	Quantity
1	Axle — Camshaft.....	3593-A	1
2	*Base — Engine.....	5040	1
3	*Bearing — Main (1—Bearing Plate, 1—Block).....	3024	2
4	*Block Assembly — Cylinder.....	6020-A	1
5	Bracket — Fuel Tank Support.....	4092	2
6	Breaker Points Assembly — Magneto.....	P5510	1
	NOTE: Breaker Points Assembly includes Ref. No. 82.		
7	Breather Assembly.....	7150-A2	1
	NOTE: Breather Assembly includes Ref. Nos. 11, 27, 34, 96 and 99.		
8	Bushing — Air Vane.....	7239	2
9	Cam — Breaker Points.....	5105	1
10	Camshaft.....	6041	1
11	Cap — Breather.....	7151	1
12	Cap and Gasket Assembly — Fuel.....	3059	1
13	Carburetor Assembly — (Carter) — used on Type C.....	C6230	1
	Carburetor Assembly — (Carter) — used on Type A.....	C4446	1
	Carburetor Assembly — (Carter) — used on Type B.....	C4446-2	1
	NOTE: See Sec. III, Div. A.		
14	Clamp — High Tension Lead.....	C3410	1
	Cleaner Assembly — Air—used on Type B.....	4512-A	1
	NOTE: See Sec. III, Div. F, for component parts. Cleaner Assembly includes Ref. Nos. 20, 22, 37 & 54.		
	Cleaner Assembly — Air—used on Type A.....	7217-A	1
	NOTE: Component parts not interchangeable with 4512-A. See Sec. III, Div. F, for component parts. Not available as an Assembly.		
15	Coil Assembly — Magneto (With Laminations).....	P5502	1
	Coil, — Magneto (Without Laminations).....	P5509	1
16	Condenser — Magneto.....	P7219	1
17	Connector — Flexible Fuel Line (Carburetor).....	5053	1
	Connector — Fuel Line, Brass.....	3562	1
	NOTE: See Sec. III, Div. G.		
18	Cover — Breaker Points.....	5062	1
19	Cover — Valve Chamber.....	3035	1
20	Cover and Element — Air Cleaner—used on Type B.....	4512	1
	Cover — Air Cleaner—used on Type A.....	7217-1	1
	NOTE: See Sec. III, Div. F.		
21	*Crankshaft.....	6059-1	1
22	Cup — Air Cleaner, Lower—used on Type B.....	4513	1
	Cup — Air Cleaner, Lower—used on Type A.....	7217-2	1
	NOTE: See Sec. III, Div. F.		
23	Decal — Arrowhead.....	3579	3
24	Deflector — Air.....	6032	1
25	Device — Shorting Clip (Spark Plug).....	3599	1

BASIC PARTS LIST — ALL TYPES (CONTINUED)

Fig. 1 Ref. No.	PART DESCRIPTION	Part No.	Quantity
26	Dipstick Assembly — Oil Filler NOTE: Dipstick Assembly includes Ref. No. 38.	3295	1
27	Disc — Breather	7152	1
28	Distributor — Oil Element — Filter, Air Cleaner—used on Type A NOTE: See Sec. III, Div. F.	4007 7217-3	1 1
	Engine Repair Kit NOTE: See Sec. VIII, Div. A, Bulletin 57.	6308	1
29	Felt — Lubrication, Cam Follower Fin — Cooling—used on Type A NOTE: Fins can be eliminated by using 6002 Gasket.	P5504 3134	1 3
30	Flywheel Assembly — With Magnets NOTE: Sold as an Assembly only.	6222	1
31	Gasket — Air Horn	3990	1
32	Gasket — Base	6031	1
33	Gasket — Bearing Plate (Standard, .015 thick) NOTE: Gaskets are also available in the following thicknesses: .005, .010 and .020. Order by Part No. and specify thickness.	3056	1
34	Gasket — Breather	7153	1
35	Gasket — Cylinder Head	6141	1
36	Gasket — Manifold, Asbestos (Carburetor to Block) NOTE: Replaces Fins and 7149 and 7168 Gaskets on Type A.	6002	1
	Gasket — Manifold, Asbestos (Carburetor to Block) — used on Type A	7149	1
37	Gasket — "O" Ring, Air Cleaner (Element to Cup)—used on Type B	4515	1
38	Gasket — Oil Filler Cap, Dipstick Gasket — Paper (Fins to Carburetor) — used on Type A	3297 7168	1 1
39	Gasket — Spark Plug	3115	1
40	Gasket — Valve Chamber Cover Gasket Kit — Engine Overhaul Gasket Kit — Engine Overhaul (With Speed Reducer Units) NOTE: See Sec. VIII, Div. A, Bulletin 48. NOTE: Kit contains all necessary Gaskets and Oil Seals.	3057 6031-A 6031-B	1 1 1
41	Head — Cylinder	6140	1
42	Horn — Air Cleaner	3991	1
43	Housing — Blower Housing — Blower (For Recoil Starter)	6223 6240-G	1 1
44	Key — Flywheel	7244	1
45	Lead — High Tension	P5521	1
46	*Lever — Speed Adjusting	7454	1
47	Line — Fuel, Flexible *Line — Fuel—used on Types A & B NOTE: See Sec. III, Div. G.	6316 3513	1 1
48	Link — Air Governor	6456	1
49	Link — Governor Spring	7259	1
50	Lock — Connecting Rod Screw	3027	2
51	Muffler — Tubular	3639	1
52	Nut — Hexagon, 7/16-20 (Starter Pulley)	3250	1
53	Nut — Square, #10-24 (Tank Straps to Bracket)	3253	2
54	Nut — Wing (Air Cleaner Screw)	7044	1
55	Nut & L'washer Ass'y — Hexagon, 1/4-28 (2—Carburetor Studs, 2—Cylinder Head Studs, 1—Valve Chamber Cover)	3255-A	5

CLINTON

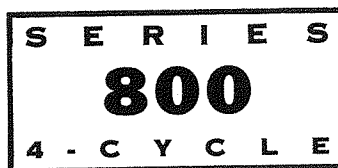


BASIC
TYPES

SEC. II, DIV. 800
PARTS CATALOG
Revised July, 1955
Supersedes Oct., 1953

BASIC PARTS LIST — ALL TYPES (CONTINUED)

Fig. 1 Ref. No.	PART DESCRIPTION	Part No.	Quantity
56	Pin — Drive (Baffle Plate to Block)	3569	1
57	Pin — Pivot, Air Vane, Governor	7184	1
58	Pin — Wrist	6024	1
59	Piston — Standard	6021	1
	Piston Assembly — Standard	6063	1
	NOTE: Piston Assemblies are also available in the following oversizes: .005, .010, .020, .030 and .040. Order by Part No. and specify oversize. Piston Assembly includes Ref. Nos. 58, 59, 70 & 72.		
60	Plate — Baffle, Crankcase	3559	1
61	Plate — Name, Clinton Engines	6530	1
62	Plate — Bearing	6220-A	1
	NOTE: Bearing Plate includes Ref. Nos. 3 and 94.		
	Plate Assembly — Bearing & Magneto	C6220-C	1
	NOTE: Bearing & Magneto Plate Assembly includes Ref. Nos. 6, 15, 16, 62, 83, 87 and 89.		
63	Plug — Camshaft Axle	3281	1
64	Plug — Oil Drain	3289	2
65	Pulley — Starter	3299	1
66	Retainer — Air Vane	4430	1
67	Retainer — Valve Spring	3028	2
68	Ring — Compression, Standard	6026	1
69	Ring — Oil, Standard	6028	1
70	Ring — Retainer, Wrist Pin	6034	2
71	Ring — Scraper, Standard	6027	1
72	Ring Set — Standard	6106	1
	NOTE: Ring Sets are also available in the following oversizes: .005, .010, .020, .030 and .040. Order by Part No. and specify oversize. Ring Set includes Ref. Nos. 68, 69 & 71.		
73	Rivet — Tubular, 3/16 x 9/32 (Bracket to Blower Housing)	3619	2
74	Rivet — Tubular, Name Plate	3660	4
75	Rod Assembly — Connecting	6107	1
	NOTE: Rod Assembly includes Ref. Nos. 50 & 80.		
76	Rope Assembly — Starter	4266	1
77	Screen — Revolving	6226	1
78	Screw — F.H., #10-24 x 5-5/8 (Air Cleaner)	7249	1
79	Screw — H.H.C., 1/4-28 x 3/4 (Bearing Plate to Block)	5431	4
80	Screw — H.H.C., 1/4-28 x 1-1/4 (Connecting Rod Cap)	3235	2
81	Screw — O.H.S.T., #6-32 x 3/8 (Breaker Cover to Bearing Plate)	5416	2
82	Screw — R.H.S.T., #6-32 x 3/8 (Breaker Points Terminal)	5405	1
83	Screw — R.H.S.T., #8-32 x 1/4 (1—Clamp to Bearing Plate, 1—Condenser to Bearing Plate)	5415	2
84	Screw & L'washer Ass'y — H.H.C., 7/16-20 x 2 (Base to Block)	6076-G	2
85	Screw & L'washer Ass'y — H.H.C., 1/4-20 x 1/2 (Blower Housing to Bearing Plate)	3205-G	4
86	Screw & L'washer Ass'y — H.H.C., 5/16-18 x 1-1/4 (Cylinder Head to Block)	6055-D	6
87	Screw & L'washer Ass'y — Pan H.S.T., 1/4-20 x 1 (Coil to Bearing Plate)	5406-B	2
88	Screw & L'washer Ass'y — R.H.M., #8-32 x 3/4 (Air Horn to Carburetor)	7113-G	2
89	Screw & L'washer Ass'y — R.H.M., #8-32 x 5/16 (Breaker Points to Bearing Plate)	5407-F	1
90	Screw & L'washer Ass'y — R.H.M., #10-32 x 3/8 (Deflector to Head)	3222-F	2
91	*Screw & L'washer Ass'y — R.H.M., #8-32 x 1/4 (Speed Adjusting Lever)	7143-A	1



BASIC PARTS LIST — ALL TYPES (CONTINUED)

Fig. 1 Ref. No.	PART DESCRIPTION	Part No.	Quantity
92	Screw & L'washer Ass'y — R.H.M., #10-32 x 1/4 (Stop Lever)	3222-G	1
93	Screw & L'washer Ass'y — R.H.M., #10-24 x 1 (Strap to Bracket)	5421	2
94	Seal — Oil (Bearing Plate)	3136	1
95	*Seal — Oil (Cylinder Block)	3026	1
96	Seat — Breather	7150	1
97	Spark Plug & Gasket Assembly	3568	1
98	Spring — Air Governor	7264	1
99	Spring — Breather Hold Down	7154	1
100	Spring — Valve	3068-B	2
101	*Stop — Lever Speed Control	7453	1
102	Strap — Fuel Tank	4093	2
103	Stud — 1/4-28 x 1 (2—Carburetor to Block, 2—Cylinder Head)	6155	4
104	Stud — Valve Chamber Cover	3042	1
105	Tank Assembly — Fuel	4090-A	1
	NOTE: Tank Assembly includes Ref. No. 12.		
106	Tappet — Valve	3034	2
107	Valve — Exhaust, Standard Stem	3031-1	1
	Valve — Exhaust, Oversize Stem (Approx. 9/32 Dia.)	3031-2	1
108	Valve — Intake, Standard Stem	3032-1	1
	Valve — Intake, Oversize Stem (Approx. 9/32 Dia.)	3032-2	1
109	*Valve — Fuel, Shut-Off, Flexible Line	5051	1
	*Valve — Fuel, Shut-Off	5050	1
	NOTE: See Sec. III, Div. G.		
110	Vane — Air Governor	4716	1
111	Washer — "C," Valve Keeper	3291	2
112	Washer — Flat, 7/16 (Starter Pulley)	5482	1
113	Washer — Lock, 7/16 (Starter Pulley)	3275	1
114	Washer — Lock, Tab Type (Bearing Plate to Block)	7028	4

AVAILABLE OVERHAUL KITS

Engine Model	Description	Kit No.
800	Gasket Overhaul Kit	6031-A
*800	Gasket Overhaul Kit	6031-B
All Types	Engine Repair Kit	6308
All Types	Carburetor Repair Kit (Carter)	C3964

*With Speed Reducer Units.

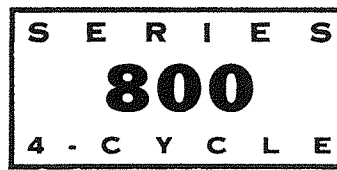
MODEL VARIATIONS OF 800 SERIES

The adaptation of Clinton Engines to a wide variety of uses result in what is known as "Model Variations". Following is the complete list of all Models produced up to issue date (Shown above). Opposite each Engine Model listed are the Part Numbers and/or Assembly Numbers for the Series used IN ADDITION TO or IN PLACE OF the parts illustrated and shown on the Basic Parts List preceding this Model Variations List. Refer to other sections of this Manual when Assembly Numbers are given to find the Parts List for these assemblies.

See page (a) on "How to Identify Your Clinton Engine". Use the preceding Basic Parts List except as shown below.

ENGINE MODEL —See Page (a), "How to Identify Your Clinton Engine".	FUEL SYSTEM , (Illustration Numbers Shown) Refer to Sec. III, Div. G for Parts List.	BLOCK ASSEMBLY—CYLINDER , (Part Number Shown) refer to Illustrated Basic Parts List for corresponding part.	CRANKSHAFT , (Part Numbers Shown) refer to Sec. IV, Div. B for details and further information.	CONTROL GROUP , (Control Group Illustration Numbers Shown) refer to Sec. III, Div. D for Parts List.	CONTROL CABLE LENGTH , replacement cable is furnished in 72" length ONLY, cut to length shown.	BASE—ENGINE , (Part Numbers Shown) refer to Sec. IV, Div. A for details and further information.	STARTER—KICK OR RECOIL , (Assembly Numbers Shown) refer to Sec. III, Div. C and Div. H for Parts Lists.	REDUCTION GEAR , (Assembly Numbers Shown) refer to Sec. III, Div. B for Parts List.
							REDUCTION GEAR MOUNTING POSITION "Clock" position shows mounting of reduction unit in relation to Crankshaft.	
							BEARING—MAIN , (Part Numbers Shown) Refer to Illustrated Basic Parts List for location of corresponding part.	
							SEAL—OIL , (Part Numbers Shown) refer to Illustrated Basic Parts List for location of corresponding part.	
800-AOA						6025		
800-COB	No Variation, use Basic Parts List.							
800-COC	No Variation, use Basic Parts List.							
800-COD	6059-6							
800-CORA								
800-CORB								
800-CORC	6059-5							
801-AOB			SK-376	72"		6025		
801-C3RB	SK-904	6059-5	SK-376	72"			C6313	
801-C5B	SK-901		SK-376	72"			C6313	
801-COA			SK-376	72"			C6313	
801-COB			SK-376	72"				
801-COC		6059-5	SK-376	72"				
801-COD	SK-900	6059-5	SK-376	72"				
801-COE			SK-376	72"				
801-COF			SK-376					
801-COG		6059-5	SK-376					
801-COH	Note 2		SK-376	36"				
801-CORB			SK-376	72"			C6313	
801-CORC		6059-5	SK-376	52"			C6313	
801-D3RB	SK-904	6059-5	SK-376	72"			C6313	
801-DOB		6059-5	SK-376	72"				
801-POA			SK-376					
860-COA		6049-1					3800 6:00	
860-COB		6049-1					3800 6:00	
860-COC		6049-1					3800 12:00	
860-CORA		6049-1				C6313	3800 6:00	
860-CORB		6049-1				C6313	3800 6:00	
861-COB		6049-1	SK-376				3800 9:00	
861-COC		6049-1	SK-376	72"			3800 6:00	
861-COD	SK-900	6049-1	SK-376	72"			3800 6:00	
861-COE		6049-1	SK-376	60"				
861-CORB		6049-1	SK-376	72"				
890-COB		6443 6409					3670 3669	

CLINTON



MODEL
 VARIATIONS

MODEL VARIATIONS OF 800 SERIES (Cont.)

For more complete description refer to first page of the Model Variations.

Eng. Mod.	Fuel	Blk. Assy.	Crank.	Con. Grp.	Cable	Base-Eng.	Starter	Red. Gr.	Pos'n.	Bearing	Seal
891-C5B	SK-901	6441	6059-4	SK-376	72"		Note 1			3670	6152
891-COB		6443	6059-4	SK-376	72"					3670	3669
897-C5B	(See A897-C5B—use A-800 Basic Parts List)										
897-C5C	(See A897-C5B—use A-800 Basic Parts List)										

Note 1 — Use 6156 Felt Washer, 6158 Retaining Ring; additional parts with 6152 Oil Seal.
 Use 6138-A Valve Chamber and Cleaner Ass'y Cover.
 Use 4091 Fuel Line or 6361-A Flexible Fuel Line Kit.

Note 2 — Use 4500 Muffler and 4425 Lock Nut.

